

# LumenPanel

## Features

- Available in custom sizes
- Suitable for large scale surfaces
- Easy to hang
- Rigid structure
- Patented heat sink technology to maximize led lifespan (70,000 hours)
- Low power consumption (70% less than fluorescent)
- Energy saving and maintenance free
- Superior consistent light quality
- Advanced 5-year warranty
- Option for outdoor use (IP67)



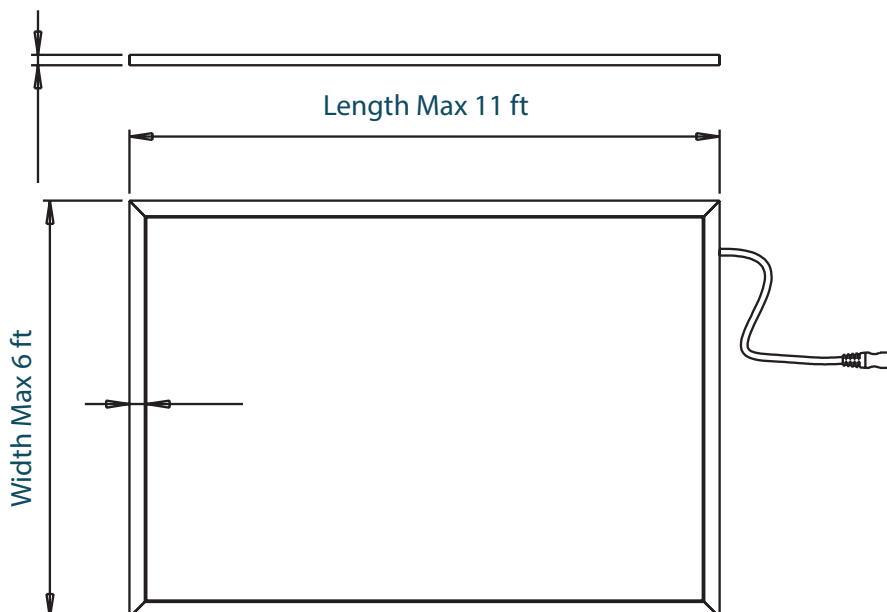
## Description

LumenPanel are not only for modern projects, but they are also perfect for classic designs. Because LumiPanel are made incredibly thin and easy to install, it is possible to illuminate onyx gemstone. Now you can hide away all the cables and wires and continue to deliver a classic yet timeless impression.

## Application

Custom Project , Onyx Kitchen Table  
Ceiling Decor, Wall Light

## Technical Drawing



## Specification

Electrical		
<b>Lumens Output</b>	High Lumen	Ultra Bright Lumen
<b>Lumens/sqft</b>	100lm/sqft	200lm/sqft
<b>Input Voltage</b>	12V	24V
<b>Wire Size</b>	20 AWG 2 Wires , 20 AWG 3 Wires , 22 AWG 4 Wires	
<b>Wiring</b>	Each LumenPanel requires direct connection to power supply	
<b>Connector</b>	2.1 / 5.5mm Barrel Plug , IP65 , Bare Wires	

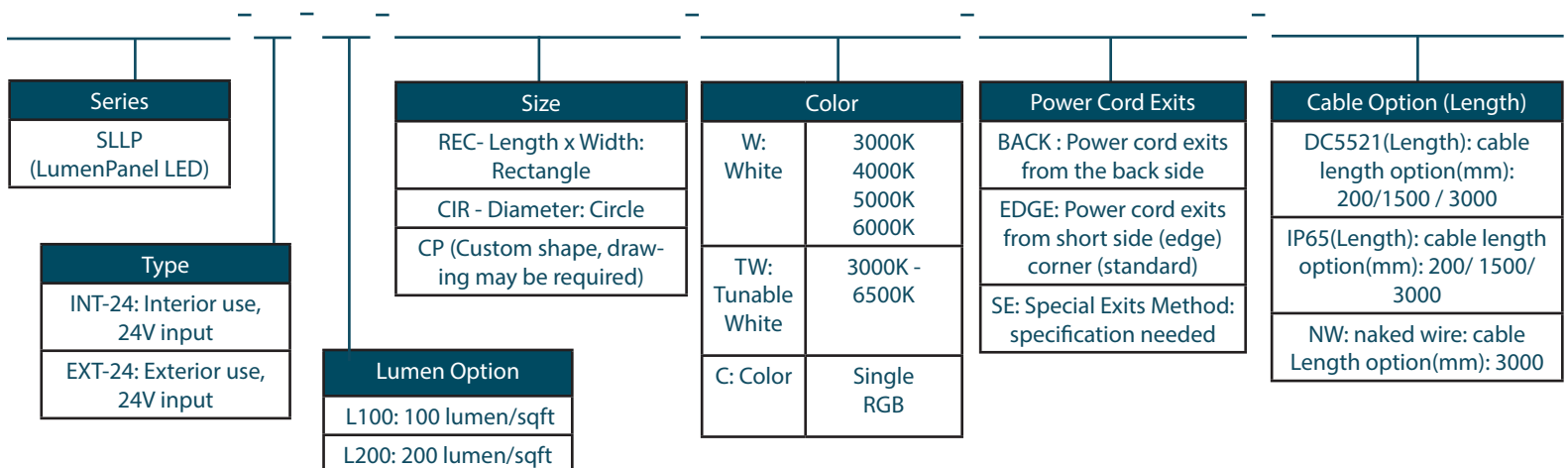
Physical	
<b>Color Temperatures</b>	Warm White: 3000K Neutral White: 4000K Cool White: 5000K Daylight: 6000K Tunable White: 3000K - 6500K Color Color Adjustable RGB
<b>Mounting</b>	Screws Z-clips U-shapes Mirror clips Standoffs
<b>Operating Temperature</b>	-30°C (-22°F) ~ +40°C (+104°F)

Thermal Properties	
Thermal Deformation Temperature (°C)	102
Coefficient of Linear Thermal Expansion (cm/°C)	7x10-5
Physical Properties	
Density (kg/ m3)	1.2
Absorptivity (%)	0.3
Refractive Index	1.49
Transmissivity (%)	93
Color Degree (%)	0.2
Yellowing	0.3

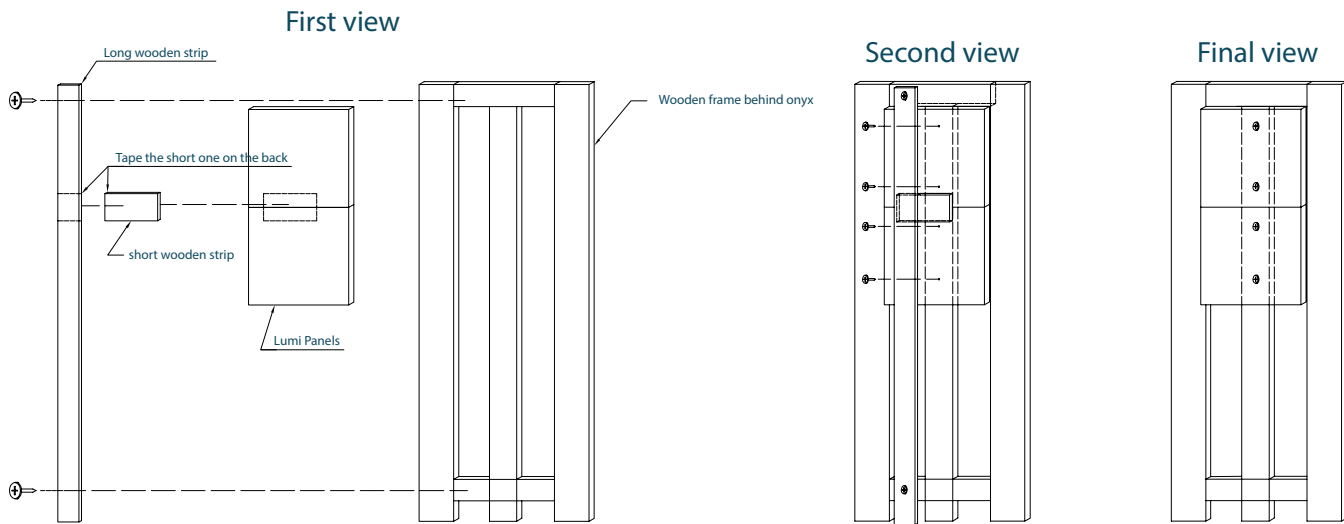
Thickness	
Thickness Deviation (T:6.0) (mm)	± 0.15
Electrical Properties	
Tensile Strength (km/cm2)	760
Elongation Rate (%)	3
Bending Resistant Strength (km/cm2)	1200
Elasticity Coefficient (km/cm2)	3.3x10
Impact Strength (kg*cm/cm)	2
Rigidity	98
Volume Resistivity (ohm*cm)	>1015
Surface Resistivity (ohm)	>1016

## Ordering Informtion

Sample Number : SLLP-INT-24-200-REC-500X600-W4000K-BACK-BA



## Installation Information

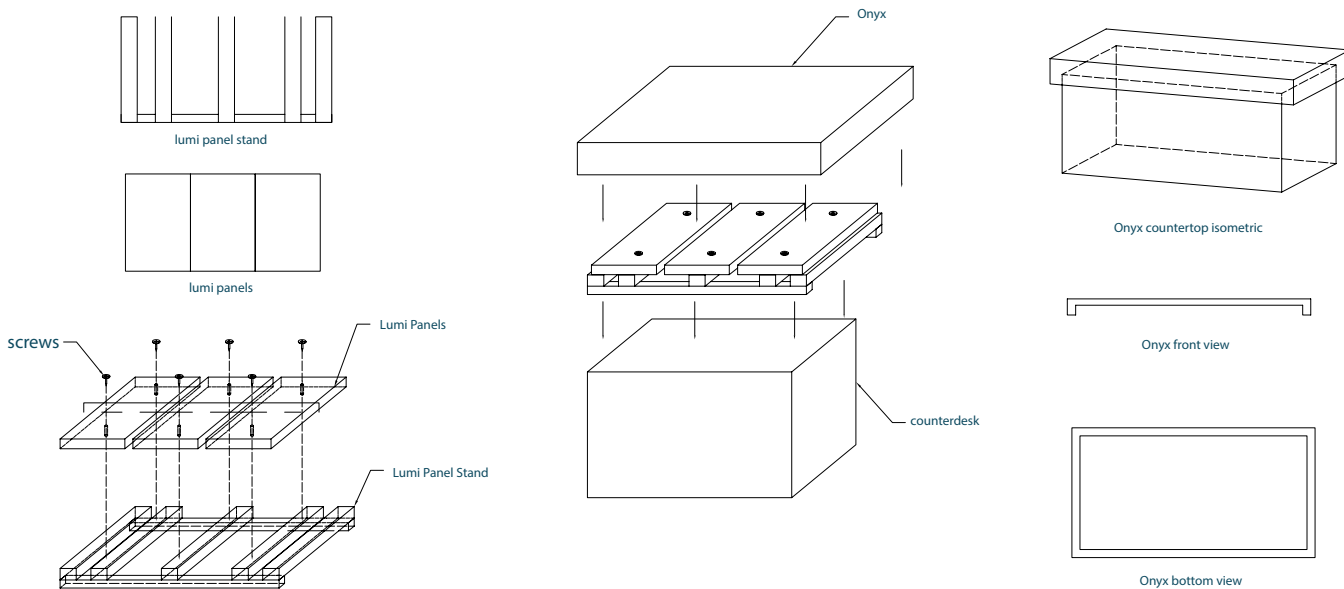


### Onyx vertical installation guide

1. Put the panels on the desired position on the wooden frame which is behind the onyx (if the wooden frame is available)
2. Tape or glue the short wooden strip at the back of long wooden strip
3. Put the strips on the top of the panels, and then screw the strips on the wooden frame as shown as second view.
4. Install the screws to fix the LED panels on the wooden frame.
5. Remove the two wooden strips. It should be shown as the final view.

### Caution:

If there is no wooden frame behind the onyx, please put the panels on the wall directly, and then fix the panel with screws.



### Steps:

1. make a wooden lumi panel stand as shown in the picture
2. Install the screws to fix the panels on the stand
3. Put the stands and panels on the top of counter desk
4. Put the onyx cover on the panels. (the panels should be fit well inside the onyx).

### Solution 2

1. Put the panels on the desired position of the desk directly
2. organize the wires
3. glue the panels on the desk
4. Put the onyx panel back onto the countertop